

# DX<sup>3</sup> The Next Step.

Presenting, DX<sup>3</sup>, an international range of protection devices. Its revolutionary design supports all kind of installations thus giving a never before experience. With 10 patents and 13 new features, it defines the next step in the protection category.

New top clamp  
for all tools

Technical  
labelling area



Integrated label  
holder



Black handle: circuit breakers  
Grey handle: switches

Breaking capacity

- 16 kA
- 25 kA
- 36 kA
- 50 kA

Colour coded  
handle with  
ON/OFF  
colour indication



### DX<sup>3</sup> MCBs

Cat.Nos	Nominal Rating	Number of 17.5 mm modules	MRP* ₹ / Unit	Pack
---------	----------------	---------------------------	---------------	------

#### MCBs for AC applications till 63 A

10 kA ISI marked as per IS/IEC 60898-1 2002  
 Integrated label holder  
 Sliding bottom clamp  
 Improved air channels  
 Color coded On/Off indication on dolly  
 Biconnect lower terminals  
 IP 20 protected terminals  
 Sliding shutters  
 DC-80 V per pole - 1 kA

#### C Curve

##### Single pole 240/410 V

4085 80	0.5	1	448	1/10/120
4085 81	1	1	448	1/10/120
4085 83	2	1	448	1/10/120
4085 84	3	1	448	1/10/120
4085 85	4	1	448	1/10/120
4085 87	6	1	294	1/10/120
4085 90	10	1	294	1/10/120
4085 92	16	1	294	1/10/120
4085 93	20	1	294	1/10/120
4085 94	25	1	294	1/10/120
4085 95	32	1	294	1/10/120
4085 96	40	1	638	1/10/120
4085 97	50	1	638	1/10/120
4085 98	63	1	638	1/10/120



4085 90

##### Single pole + Neutral 240 V

4086 02	0.5	2	1216	1/5/60
4086 03	1	2	1216	1/5/60
4086 05	2	2	1216	1/5/60
4086 06	3	2	1216	1/5/60
4086 07	4	2	1216	1/5/60
4086 09	6	2	872	1/5/60
4086 12	10	2	872	1/5/60
4086 14	16	2	872	1/5/60
4086 15	20	2	872	1/5/60
4086 16	25	2	872	1/5/60
4086 17	32	2	872	1/5/60
4086 18	40	2	1404	1/5/60
4086 19	50	2	1404	1/5/60
4086 20	63	2	1404	1/5/60



4086 14

##### Double pole 415 V

4086 21	0.5	2	1216	1/40
4086 22	1	2	1216	1/40
4086 24	2	2	1216	1/40
4086 25	3	2	1216	1/40
4086 26	4	2	1216	1/40
4086 28	6	2	872	1/40
4086 31	10	2	872	1/40
4086 33	16	2	872	1/40
4086 34	20	2	872	1/40
4086 35	25	2	872	1/40
4086 36	32	2	872	1/40
4086 37	40	2	1404	1/40
4086 38	50	2	1404	1/40
4086 39	63	2	1404	1/40



4086 37

##### Triple pole 415 V

4086 43	0.5	3	1882	1/32
4086 44	1	3	1882	1/32
4086 46	2	3	1882	1/32
4086 47	3	3	1882	1/32
4086 48	4	3	1882	1/32
4086 50	6	3	1422	1/32
4086 53	10	3	1422	1/32
4086 55	16	3	1422	1/32
4086 56	20	3	1422	1/32
4086 57	25	3	1422	1/32
4086 58	32	3	1422	1/32
4086 59	40	3	2174	1/32
4086 60	50	3	2174	1/32
4086 61	63	3	2174	1/32



4086 55

\* MRP - Maximum Retail Price Inclusive of all taxes.  
 \* For further details on product contact nearest Legrand Sales Office.

### DX<sup>3</sup> MCBs

Cat.Nos	Nominal Rating	Number of 17.5 mm modules	MRP* ₹ / Unit	Pack
---------	----------------	---------------------------	---------------	------

#### Triple pole + Neutral 415 V

4086 65	0.5	4	2360	1/32
4086 66	1	4	2360	1/32
4086 68	2	4	2360	1/32
4086 69	3	4	2360	1/32
4086 70	4	4	2360	1/32
4086 72	6	4	1924	1/32
4086 75	10	4	1924	1/32
4086 77	16	4	1924	1/32
4086 78	20	4	1924	1/32
4086 79	25	4	1924	1/32
4086 80	32	4	1924	1/32
4086 81	40	4	2774	1/32
4086 82	50	4	2774	1/32
4086 83	63	4	2774	1/32



4086 77

#### Four pole 415 V

4086 84	0.5	4	2360	1/32
4086 85	1	4	2360	1/32
4086 87	2	4	2360	1/32
4086 88	3	4	2360	1/32
4086 89	4	4	2360	1/32
4086 91	6	4	1924	1/32
4086 94	10	4	1924	1/32
4086 96	16	4	1924	1/32
4086 97	20	4	1924	1/32
4086 98	25	4	1924	1/32
4086 99	32	4	1924	1/32
4087 00	40	4	2474	1/32
4087 01	50	4	2474	1/32
4087 02	63	4	2474	1/32



4086 94

#### D Curve

##### Single pole 240/415 V

4087 06	0.5	1	448	1/10/120
4087 07	1	1	448	1/10/120
4087 09	2	1	448	1/10/120
4087 10	3	1	448	1/10/120
4087 11	4	1	448	1/10/120
4087 12	6	1	376	1/10/120
4087 14	10	1	376	1/10/120
4087 16	16	1	376	1/10/120
4087 17	20	1	376	1/10/120
4087 18	25	1	376	1/10/120
4087 19	32	1	376	1/10/120
4087 20*	40	1	674	1/10/120
4087 21*	50	1	674	1/10/120
4087 22*	63	1	674	1/10/120



4087 19

##### Single pole + Neutral 240 V

4087 26	0.5	2	1216	1/5/60
4087 27	1	2	1216	1/5/60
4087 29	2	2	1216	1/5/60
4087 30	3	2	1216	1/5/60
4087 31	4	2	1216	1/5/60

##### Double pole 415 V

4087 32	0.5	2	1216	1/40
4087 33	1	2	1216	1/40
4087 35	2	2	1216	1/40
4087 36	3	2	1216	1/40
4087 37	4	2	1216	1/40
4087 38	6	2	900	1/40
4087 40	10	2	900	1/40
4087 42	16	2	900	1/40
4087 43	20	2	900	1/40
4087 44	25	2	876	1/40
4087 45	32	2	900	1/40
4087 46*	40	2	1456	1/40
4087 47*	50	2	1456	1/40
4087 48*	63	2	1456	1/40



4087 46

Bold Cat.Nos are products normally available with Legrand (India) Stockists.  
 Cat.Nos that are not bold - delivery within 4 - 8 weeks from the date of order.  
 Bold packing quantity is our mandatory packing. Orders to be placed by Legrand (India) Stockist in multiples of the same.

## DX<sup>3</sup> MCBs

Cat.Nos	Nominal Rating	Number of 17.5 mm modules	MRP* ₹ / Unit	Pack
---------	----------------	---------------------------	------------------	------

### Triple pole 415 V

4087 52	0.5	3	1882	1/32
4087 53	1	3	1882	1/32
4087 55	2	3	1882	1/32
4087 56	3	3	1882	1/32
4087 57	4	3	1882	1/32
4087 58	6	3	1484	1/32
4087 60	10	3	1484	1/32
4087 62	16	3	1484	1/32
4087 63	20	3	1484	1/32
4087 64	25	3	1484	1/32
4087 65	32	3	1484	1/32
4087 66*	40	3	2290	1/32
4087 67*	50	3	2290	1/32
4087 68*	63	3	2290	1/32

### Triple pole + Neutral 415 V

4087 72	0.5	4	2360	1/32
4087 73	1	4	2360	1/32
4087 75	2	4	2360	1/32
4087 76	3	4	2360	1/32
4087 77	4	4	2360	1/32

### Four pole 415 V

4087 78	0.5	4	2360	1/32
4087 79	1	4	2360	1/32
4087 81	2	4	2360	1/32
4087 82	3	4	2360	1/32
4087 83	4	4	2360	1/32
4087 84	6	4	1978	1/32
4087 86	10	4	1978	1/32
4087 88	16	4	1978	1/32
4087 89	20	4	1978	1/32
4087 90	25	4	1978	1/32
4087 91	32	4	1978	1/32
4087 92*	40	4	2852	1/32
4087 93*	50	4	2852	1/32
4087 94*	63	4	2852	1/32

### Circuit breakers AC applications 80 - 125 A

10 kA as per IEC 60947-2  
Integrated label holder  
Sliding insulating shield  
Color coded contact indication window  
IP 20 protected terminals  
50 sq mm terminals

### Single pole 230 V / 400 V

4085 99	80	1.5	2312	1/5/160
4086 00	100	1.5	2590	1/5/161
4086 01	125	1.5	2796	1/5/162

### Double pole 230 V / 400 V

4086 40	80	3	5124	1/5/60
4086 41	100	3	5466	1/5/60
4086 42	125	3	6010	1/5/60

### Triple pole 400 V

4086 62	80	4.5	8078	1/9
4086 63	100	4.5	8608	1/9
4086 64	125	4.5	9550	1/9

### Four pole 400 V

4087 03	80	6	10528	1/9
4087 04	100	6	10970	1/9
4087 05	125	6	12412	1/9

\* MRP - Maximum Retail Price Inclusive of all taxes.

\* For further details on product contact nearest Legrand Sales Office.

## DX<sup>3</sup> MCBs

Cat.Nos	Nominal Rating	Number of 17.5 mm modules	MRP* ₹ / Unit	Pack
---------	----------------	---------------------------	------------------	------

### Circuit breakers DC applications upto 63 A

6 kA as per IEC 60947-2  
Integrated label holder  
Sliding bottom clamp  
Improved air channels  
Color coded On/Off indication on dolly  
Biconnect lower terminals  
IP 20 protected terminals  
Sliding shutters

### Single pole 250 V

4087 98*	0.5	1	708	1/10/120
4087 99*	1	1	708	1/10/120
4088 01*	2	1	708	1/10/120
4088 02*	3	1	708	1/10/120
4088 03*	4	1	708	1/10/120
4088 04*	6	1	598	1/10/120
4088 06*	10	1	598	1/10/120
4088 08*	16	1	598	1/10/120
4088 09*	20	1	598	1/10/120
4088 10*	25	1	598	1/10/120
4088 11*	32	1	598	1/10/120
4088 12*	40	1	788	1/10/120
4088 13*	50	1	788	1/10/120
4088 14*	63	1	788	1/10/120

### Double pole 250 V

4088 15*	0.5	1	1446	1/5/60
4088 16*	1	1	1446	1/5/60
4088 18*	2	1	1446	1/5/60
4088 19*	3	1	1446	1/5/60
4088 20*	4	1	1446	1/5/60
4088 21*	6	1	1266	1/5/60
4088 23*	10	1	1266	1/5/60
4088 25*	16	1	1266	1/5/60
4088 26*	20	1	1266	1/5/60
4088 27*	25	1	1266	1/5/60
4088 28*	32	1	1266	1/5/60
4088 29*	40	1	1594	1/5/60
4088 30*	50	1	1594	1/5/60
4088 31*	63	1	1594	1/5/60

## RDSO DC MCB

### Single pole

4088 32	0.5	1	680	1/10/120
4088 33	1	1	680	1/10/120
4088 34	1.5	1	680	1/10/120
4088 35	1.6	1	680	1/10/120
4088 36	2.5	1	680	1/10/120
4088 37	3	1	508	1/10/120
4088 38	4	1	508	1/10/120
4088 39	5	1	616	1/10/120
4088 40	10	1	616	1/10/120
4088 41	15	1	616	1/10/120
4088 42	20	1	616	1/10/120
4088 43	25	1	616	1/10/120
4088 44	30	1	730	1/10/120
4088 45	35	1	730	1/10/120
4088 46	40	1	800	1/10/120
4088 47	50	1	800	1/10/120
4088 48	60	1	800	1/10/120

Bold Cat.Nos are products normally available with Legrand (India) Stockists. Cat.Nos that are not bold - delivery within 4 - 8 weeks from the date of order. Bold packing quantity is our mandatory packing. Orders to be placed by Legrand (India) Stockist in multiples of the same.



4087 52



4087 90



4086 00



4086 40



4086 63



4087 05



4088 12

## DX<sup>3</sup> isolators

Cat.Nos	Nominal Rating	Number of 17.5 mm modules	MRP* ₹ / Unit	Pack
---------	----------------	---------------------------	---------------	------

### Isolators for AC applications upto 125 A

ISI marked as per IEC 60947-3  
 Integrated label holder  
 Ergonomic red color dolly  
 Sliding bottom clamp  
 Double break mechanism  
 Improved air channels  
 Color coded On/Off indication on dolly  
 Biconnect lower terminals  
 IP 20 protected terminals  
 Sliding shutters

#### Double pole 240 V

4065 00	32	2	482	1/5/60
<b>4065 01</b>	40	2	528	1/5/60
<b>4065 02</b>	63	2	700	1/5/60
4065 04	100	2	952	1/5/60
4065 05	125	2	1082	1/5/60



4065 00

#### Triple pole 415 V

4065 09	32	3	862	1/40
<b>4065 10</b>	40	3	920	1/40
<b>4065 11</b>	63	3	1090	1/40
4065 13	100	3	1216	1/40
4065 14	125	3	1406	1/40



4065 10

#### Four pole 415 V

4065 18	32	4	946	1/32
<b>4065 19</b>	40	4	1176	1/32
<b>4065 20</b>	63	4	1286	1/32
4065 22	100	4	1584	1/32
4065 23	125	4	1744	1/32



4065 20

## DX<sup>3</sup> RCCBs

### RCCBs for AC applications upto 63 A

ISI marked as per IS 12640-1  
 Integrated label holder  
 Ergonomic Grey color dolly  
 Sliding bottom clamp  
 Color coded On/Off indication on dolly  
 Biconnect lower terminals  
 IP 20 protected terminals  
 35 sq mm terminals  
 Sliding shutters

#### Double pole 240 V

##### 30 mA

<b>4118 51</b>	25	2	3108	1/5/60
<b>4118 52</b>	40	2	3640	1/5/60
4118 53	63	2	4350	1/5/60



4118 51

##### 100 mA

<b>4118 56</b>	25	2	3350	1/5/60
<b>4118 57</b>	40	2	3888	1/5/60
4118 58	63	2	4618	1/5/60



4118 57

##### 300 mA

4118 61	25	2	3412	1/5/60
4118 62	40	2	3974	1/5/60
4118 63	63	2	4646	1/5/60

#### Four pole 415 V

##### 30 mA

4118 76	25	4	4282	1/32
<b>4118 77</b>	40	4	4232	1/32
<b>4118 78</b>	63	4	4908	1/32



4118 77

\* MRP - Maximum Retail Price Inclusive of all taxes.

## DX<sup>3</sup> RCCBs

Cat.Nos	Nominal Rating	Number of 17.5 mm modules	MRP* ₹ / Unit	Pack
---------	----------------	---------------------------	---------------	------

### 100 mA

4118 81	25	4	4444	1/32
<b>4118 82</b>	40	4	4470	1/32
<b>4118 83</b>	63	4	5278	1/32



4118 83

### 300 mA

4118 86	25	4	4550	1/32
<b>4118 87</b>	40	4	4618	1/32
<b>4118 88</b>	63	4	5278	1/32



4118 93

### Four pole 415 V, A-S

##### 300 mA

4118 91	25	2	6594	1/5/60
4118 92	40	2	6678	1/5/60
4118 93	63	2	6976	1/5/60
4118 94	80	2	8160	1/5/60

### Double pole 240 V, HPI

##### 30 mA

4118 71	25	2	6506	1/5/60
4118 72	40	2	6832	1/5/60
4118 73	63	2	7028	1/5/60
4118 74	80	2	8420	1/5/60

### Four pole 415 V, HPI

##### 30 mA

4118 96	25	4	7326	1/32
4118 97	40	4	7556	1/32
4118 98	63	4	7754	1/32
4118 99	80	4	9154	1/32



4118 97

## DX<sup>3</sup> circuit breakers

### AC applications upto 100 A

Integrated label holder  
 Ergonomic Grey color dolly  
 Color coded On/Off indication on dolly  
 Biconnect lower terminals  
 IP 20 protected terminals  
 35 sq mm terminals  
 Sliding shutters

#### Double pole 240 V

##### 30 mA

4115 07	80	2	7270	1/5/60
4115 08	100	2	7900	1/5/60



4115 08



4115 27

##### 100 mA

4115 17	80	2	7270	1/5/60
4115 18	100	2	7900	1/5/60



4117 05

##### 300 mA

4115 27	80	2	7270	1/5/60
4115 28	100	2	7900	1/5/60



4117 15

### Four pole 415 V

##### 30 mA

4117 05	80	4	8534	1/32
4117 63	100	4	8814	1/32

##### 100 mA

4117 15	80	4	8534	1/32
4117 73	100	4	8814	1/32



4117 25

##### 300 mA

4117 25	80	4	8534	1/32
4117 83	100	4	8814	1/32

Bold Cat.Nos are products normally available with Legrand (India) Stockists. Cat.Nos that are not bold - delivery within 4 - 8 weeks from the date of order. Bold packing quantity is our mandatory packing. Orders to be placed by Legrand (India) Stockist in multiples of the same.

## DX<sup>3</sup> RCBOs

Cat.Nos	Nominal Rating	Number of 17.5 mm modules	MRP* ₹ / Unit	Pack
---------	----------------	---------------------------	---------------	------

### RCBOs assembled for AC applications upto 63 A

ISI marked as per IS 12640-2  
Integrated label holder  
Ergonomic design  
Color coded On/Off indication on dolly  
Front face indication for earth leakage fault  
IP 20 protected terminals  
35 sq mm terminals  
Sliding shutters

#### Double pole 240 V, AC Type

##### 30 mA

4113 22	6	4	3832	1/32
4113 23	10	4	3796	1/32
<b>4113 24</b>	16	4	3674	1/32
<b>4113 25</b>	25	4	3674	1/32
<b>4113 26</b>	32	4	4020	1/32
<b>4113 27</b>	40	4	4784	1/32
4113 28	63	4	5722	1/32

##### 100 mA

4113 29	6	4	4728	1/32
4113 30	10	4	4728	1/32
4113 31	16	4	4550	1/32
<b>4113 32</b>	25	4	4468	1/32
<b>4113 33</b>	32	4	4550	1/32
<b>4113 34</b>	40	4	5236	1/32
4113 35	63	4	6060	1/32

##### 300 mA

4113 36	16	4	4658	1/32
<b>4113 37</b>	25	4	4658	1/32
<b>4113 38</b>	32	4	4658	1/32
<b>4113 39</b>	40	4	5334	1/32
4113 40	63	4	6114	1/32

#### Four pole 415 V, AC Type

##### 30 mA

4113 88	6	7	5254	1/16
4113 89	10	7	5254	1/16
4113 65	16	7	5178	1/16
4113 66	25	7	5178	1/16
<b>4113 67</b>	32	7	5342	1/16
<b>4113 68</b>	40	7	5442	1/16
<b>4113 69</b>	63	7	6420	1/16

#### Four pole 415 V, AC Type

##### 100 mA

4113 70	16	7	5786	1/16
4113 71	25	7	5534	1/16
<b>4113 72</b>	32	7	5596	1/16
<b>4113 73</b>	40	7	5758	1/16
4113 74	63	7	6542	1/16

#### Four pole 415 V, AC Type

##### 300 mA

4113 75	16	7	5904	1/16
4113 76	25	7	5700	1/16
<b>4113 77</b>	32	7	5700	1/16
<b>4113 78</b>	40	7	5814	1/16
4113 79	63	7	6592	1/16

### RCBOs compact for AC applications upto 32 A, 6 kA

Conforms to IEC 60947  
Integrated label holder  
Ergonomic design  
Color coded On/Off indication on dolly  
Front face indication for earth leakage fault  
IP 20 protected terminals  
35 sq mm terminals  
Sliding shutters

#### Double pole 240 V, AC Type

##### 30 mA

<b>4113 90</b>	6	2	4462	1/32
----------------	---	---	------	------

\* MRP - Maximum Retail Price Inclusive of all taxes.

## DX<sup>3</sup> RCBOs

Cat.Nos	Nominal Rating	Number of 17.5 mm modules	MRP* ₹ / Unit	Pack
---------	----------------	---------------------------	---------------	------

### Double pole 240 V, AC Type

##### 30 mA

4113 91	10	2	4462	1/32
<b>4113 92</b>	16	2	4462	1/32
4113 93	20	2	4462	1/32
<b>4113 94</b>	25	2	4462	1/32
<b>4113 95</b>	32	2	4684	1/32

##### 300 mA

4113 97	6	2	4588	1/32
4113 98	10	2	4588	1/32
4113 99	16	2	4588	1/32
4114 00	20	2	4588	1/32
4114 01	25	2	4588	1/32
4114 02	32	2	4820	1/32

### Double pole 240 V, HPI Type

##### 30 mA

4114 15	25	2	8556	1/32
4114 16	32	2	9044	1/32

### Four pole 415 V, AC Type

##### 30 mA

4114 18	10	4	6066	1/16
4114 19	16	4	6066	1/16
4114 20	20	4	6066	1/16
4114 21	25	4	6066	1/16
4111 89	32	4	6066	1/16

### Four pole 415 V, AC Type

##### 300 mA

4114 23	10	4	6694	1/16
4114 24	16	4	6694	1/16
4114 25	20	4	6694	1/16
4114 26	25	4	6694	1/16
4112 08	32	4	6694	1/16

### Four pole 415 V, A Type

##### 30 mA

4114 28	10	4	6844	1/16
4114 29	16	4	6844	1/16
4114 30	20	4	6844	1/16
4114 31	25	4	6844	1/16
4112 37	32	4	6844	1/16

### Four pole 415 V, A Type

##### 300 mA

4114 33	10	4	7334	1/16
4114 34	16	4	7334	1/16
4114 35	20	4	7334	1/16
4114 36	25	4	7334	1/16
4112 42	32	4	7334	1/16

## DX<sup>3</sup> RCD add on module

### For 125 A

Conform to IEC 61009-1  
AC type : detect AC components faults  
Hpi type :detect faults with AC and DC components, increased  
Immunity to false tripping  
For mounting on the right-hand side of 1.5 module per pole DX<sup>3</sup> MCBs  
Easy & fast association mechanism  
Terminal cover for locking  
70 sq mm terminals

### Double pole 240 V, AC Type

##### 30 mA

4105 68	125 A	4	13444	1
---------	-------	---	-------	---

##### 100 mA

4105 69	125 A	4	15156	1
---------	-------	---	-------	---

##### 300 mA

4105 71	125 A	4	15156	1
---------	-------	---	-------	---

Bold Cat.Nos are products normally available with Legrand (India) Stockists. Cat.Nos that are not bold - delivery within 4 - 8 weeks from the date of order. Bold packing quantity is our mandatory packing. Orders to be placed by Legrand (India) Stockist in multiples of the same.



4113 24



4113 94



4111 89



4112 08



4112 42



4105 68



4113 79

## DX<sup>3</sup> RCD add on module

Cat.Nos	Nominal Rating	Number of 17.5 mm modules	MRP* ₹ / Unit	Pack
---------	----------------	---------------------------	---------------	------

### Four pole 415 V, AC Type

#### 30 mA

4106 25	125 A	4	21220	1
---------	-------	---	-------	---

#### 100 mA

4106 26	125 A	4	23712	1
---------	-------	---	-------	---

#### 300 mA

4106 29	125 A	4	23712	1
---------	-------	---	-------	---

### Double pole 240 V, HPI type

#### 30 mA

4105 78	125 A	6	17110	1
---------	-------	---	-------	---

#### 100 mA

4105 79	125 A	6	19124	1
---------	-------	---	-------	---

#### 300 mA

4105 82	125 A	6	19124	1
---------	-------	---	-------	---

### Four pole 415 V, HPI type

#### 30 mA

4106 38	125 A	6	29332	1
---------	-------	---	-------	---

#### 100 mA

4106 39	125 A	6	31044	1
---------	-------	---	-------	---

#### 300 mA

4106 42	125 A	6	31044	1
---------	-------	---	-------	---

## DX<sup>3</sup> auxiliaries

### Auxiliaries common for MCBs, Isolators, RCCBs & RCBOs

Easy & fast fixation on site  
On site clip on mounting  
Clip on fitting on left side

Cat.Nos	Description	Number of 17.5 mm modules	MRP* ₹ / Unit	Pack
---------	-------------	---------------------------	---------------	------

### Signalling auxiliaries

4062 50	Auxiliary changeover switch 6 A	0.5	856	1
4062 52	Fault signalling changeover switch 6 A	0.5	1006	1
4062 64	Changeover + fault signalling switch	1	1618	1

### Control auxiliaries

4062 76	Shunt release 12 /48 V AC/DC	1	2346	1
4062 78	Shunt release 110/415 V V AC	1	2346	1
4062 80	Undervoltage release 24/48 V AC/DC	1	2014	1
4062 82	Undervoltage release 230 V AC	1	2014	1

\* MRP - Maximum Retail Price Inclusive of all taxes.

## DX<sup>3</sup> auxiliaries

Cat.Nos	Description	Number of 17.5 mm modules	MRP* ₹ / Unit	Pack
---------	-------------	---------------------------	---------------	------

### Control auxiliaries

4062 86	Pop over voltage release	1	2548	1
4062 90	Motor control 24/48 V AC/DC	1	9732	1
4062 91	Motor control 110/415 V AC	1	9732	1
4062 93	Motor control 24/48 V AC/DC	2	21894	1
4062 95	Motor control 110/415 V AC	2	21894	1
4062 88	Automatic resetter	2	9732	1
4062 89	Automatic resetter with autotest	2	14596	1

### Rotary handle

4063 19	Black rotary handle	-	1946	10
4063 20	Yellow/red rotary handle	-	2190	10

### Support for padlock

4063 03	Support for padlock till 63 A	-	456	10
---------	-------------------------------	---	-----	----

### Sealable screw cover

4063 04	Devices upto 63 A	-	462	10
4063 06	For 80-125 A devices	-	462	10

### 1/2 module spacing unit

4063 07	1/2 module spacing unit	0.5	172	10
---------	-------------------------	-----	-----	----

### 5mm padlock

4063 13	5 mm Padlock	-	364	10
---------	--------------	---	-----	----

### Manual changover switch

Compact design  
Manual switching operation  
Easy to assemble  
Ergonomic design

### For 1 mod/pole devices

4063 14	Manual change-over switch for DP	1	2190	5
4063 15	Manual change-over switch for TP	1	2676	5
4063 16	Manual change-over switch for FP	1	2920	5

**Bold Cat.Nos** are products normally available with Legrand (India) Stockists. Cat.Nos that are not bold - delivery within 4 - 8 weeks from the date of order. **Bold packing quantity** is our mandatory packing. Orders to be placed by Legrand (India) Stockist in multiples of the same.

## DX<sup>3</sup> RCD add on module with measurement & metering

Cat.Nos	Nominal Rating	Number of 17.5 mm modules	MRP* ₹ / Unit	Pack
---------	----------------	---------------------------	------------------	------

Conform to IEC 61009-1  
Hpi type: detect faults with AC and DC components, increased  
Immunity to false tripping  
Inbuilt measurement/metering option  
Measurement - V, A, F, PF, KWh, KVA, KVAR, THD  
Metering - V, A, F, KWh  
RS 485 port for remote reading  
Di-electric test button inbuilt  
Ergonomic test button  
Scroll button for easy readings  
RLCD display on front facia  
For mounting on the right-hand side of 1.5 module per pole DX<sup>3</sup> MCBs  
Easy & fast association mechanism  
70 sq mm terminals

### Adjustable metering, four pole 415 V

4106 57	63 A	7	14668	1
4106 58	125 A	7	26630	1

### Adjustable measurement

4106 59	125 A	7	29050	1
---------	-------	---	-------	---

## DX<sup>3</sup> time switches

Cat.Nos	Description	MRP* ₹ / Unit	Pack
---------	-------------	------------------	------

### Time switches

#### AlphaRex<sup>3</sup> digital time switches

Daily and weekly time switch  
Quick and easy programming due to the option to select day blocks, day blocks can be individually set or selected from the blocks Mon-Sun, Mon-Fri or Sat-Sun  
Programming with precision to the second  
Switch times visible in weekly overview on display

4126 31	AlphaRex <sup>3</sup> D21, 1 channel	4668	1
4126 41	AlphaRex <sup>3</sup> D22, 2 channels	7002	1
4126 34	AlphaRex <sup>3</sup> D21s, 1 channel	5550	1

#### AlphaRex<sup>3</sup> digital time switches - Astro

- For switching on/off lights and other electric devices according to the rising/setting of the sun
- With combination function for creating switching programs in which the devices are switched according to astronomical time and/or fixed preset times
- Daily astronomical calculation of the sunrise/sunset times based on the entered location or location coordinates

4126 54	AlphaRex <sup>3</sup> D21 astro, 1 channel	9336	1
4126 57	AlphaRex <sup>3</sup> D22 astro, 2 channels	10736	1

#### AlphaRex<sup>3</sup> yearly time switch

- Yearly and weekly time switch with additional astronomical function for all channels
- 84 switching programs per channel, comprising:
  - 28 weekly programs
  - 28 yearly programs
  - 28 special programs (priority program)

4126 29	AlphaRex <sup>3</sup> DY21, 1 channel	25440	1
4126 30	AlphaRex <sup>3</sup> DY22, 2 channels	26174	1

\* MRP - Maximum Retail Price Inclusive of all taxes.



4106 57



4126 41



4126 54



4126 57



4126 29



4128 12



4128 14



4125 44

## DX<sup>3</sup> time switches

Cat.Nos	Description	MRP* ₹ / Unit	Pack
---------	-------------	------------------	------

### Programming accessories

4128 72	Data key	1358	1
4128 73	PC adapter for USB port	4626	1

### Twilight switches

- Including light sensor
- Wire for light sensor: 2 x 1.5 mm<sup>2</sup>, maximum wire length: 50 m
- LED switching status indicator

4126 23	Luxo switch	6300	1
---------	-------------	------	---

### MicroRex analog time switches

In accordance with IEC 60730-1 and 60730-2-7  
Manual switching ON/automatic/OFF  
Hourly/daily/weekly switching dial with captive segments  
Clock precision: +/- 5 min for the daily time switch  
-10 °C to +55 °C operating temperature

4128 23	MicroRex T31 Su/Wi – Daily time switch	5892	1
4128 28	MicroRex W31 Su/Wi – Weekly time switch	6304	1

### MicroRex analog time switches

4128 12	MicroRex T31 – Daily time switch	4712	1
4128 13	MicroRex QT31 – Daily time switch	5284	1
4128 14	MicroRex W31 – Weekly time switch	5656	1
4127 90	MicroRex QT11 – Daily time switch	3300	1
4127 94	MicroRex QW11 – Weekly time switch	3808	1

### Accessory

4128 59	Wall bracket	978	1
---------	--------------	-----	---

## DX<sup>3</sup> contactors

### Power contactors CX<sup>3</sup>

Conform to IEC/EN 61095  
Space for power supply busbar on top (up to 25 A)

4125 44	25 A 2 NO contactor	1896	1
4125 45	40 A 2 NO contactor	3240	1
4125 47	63 A 2 NO contactor	3770	1
4125 48	63 A 2 NC contactor	3770	1
4125 49	40 A 3 NO contactor	5418	1
4125 50	63 A 3 NO contactor	6128	1
4125 51	25 A 4 NO contactor	2240	1
4125 53	40 A 4 NO contactor	5718	1
4125 56	63 A 4 NO contactor	6768	1
4125 57	63 A 4 NC contactor	6834	1

### Signalling auxiliaries for contactors

#### Auxiliary changeover switch

4124 29	For 1 module contactors 16 A to 25 A	2834	1
4124 30	For 2 module contactors 25 A	2846	1
4124 31	For 40 and 63 A contactors	3734	1

Bold Cat.Nos are products normally available with Legrand (India) Stockists. Cat.Nos that are not bold - delivery within 4 - 8 weeks from the date of order. Bold packing quantity is our mandatory packing. Orders to be placed by Legrand (India) Stockist in multiples of the same.

**NEW!**

## DX<sup>3</sup> for photovoltaic applications

Cat.Nos	Description	MRP* ₹ / Unit	Pack
---------	-------------	------------------	------

### DC MCBs

Breaking capacity 4.5 kA according to EN 60947-2

#### 800 V<sub>DC</sub> circuit breakers

4144 24	6 A	■	1
4144 25	8 A	■	1
4144 26	10 A	■	1
4144 27	13 A	■	1
4144 28	16 A	■	1
4144 29	20 A	■	1

#### 1000 V<sub>DC</sub> circuit breakers

4144 46	10 A	■	1
4144 47	13 A	■	1
4144 48	16 A	■	1
4144 49	20 A	■	1
4144 50	25 A	■	1
4144 51	32 A	■	1

### Type 2 voltage surge protectors

DC side protection of photovoltaic installations connected to the low voltage network (without energy storage system)  
Conforming to UTE guide C 61-740-51  
Protection in common mode and residual current mode (Y mode) 1  
Consisting of plug-in modules with LED indicator  
Red: modules need to be replaced

#### Voltage surge protectors

4141 60	600 V= 25KA I <sub>max</sub>	■	1
4141 51	1000 V 40KA I <sub>max</sub>	■	1

#### Plug-in replacement module

4141 90	+/- cassette for voltage surge protector 4141 60	■	1
4141 91	T cassette for voltage surge protector 4141 60	■	1
4141 81	+/- and T cassette for voltage surge protector 4141 51	■	1

### DC rotary handle isolating switches

Category of use DC 21B according to EN 60947-3  
Double break contacts

#### 600 V<sub>DC</sub> isolating switches

4142 61	16 A	■	1
4142 62	25 A	■	1
4142 63	32 A	■	1

#### 1000 V<sub>DC</sub> isolating switches

4142 81	16 A	■	1
4142 82	25 A	■	1
4142 83	32 A	■	1

### Accessories

4063 05	Pole separation divider	■	1
4063 07	Spacing unit 0.5 unit	■	10

■ Price available on request.

\* MRP - Maximum Retail Price Inclusive of all taxes.

Red Cat.Nos - new products

## SURGE PROTECTIVE DEVICES

# Solutions for all installations and risk levels

Clear, easily identifiable marking for easier maintenance, design in line with other Legrand modular equipment, well thought features: the new SPDs integrate perfectly in the modular rows of Legrand distribution boards.



Easier to handle: the plug-in modules are easy to replace thanks to the extraction handles.

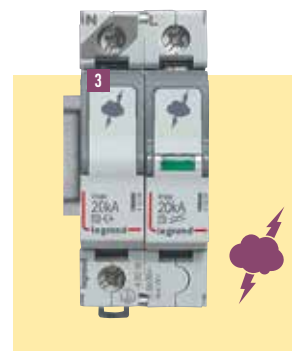
### Status indicator and remote monitoring of information



1 Fault signal contact

2 Status indicator

### Design and marking



3 Dedicated marking for easier identification and maintenance of the SPDs.

Bold Cat.Nos are products normally available with Legrand (India) Stockists. Cat.Nos that are not bold - delivery within 4 - 8 weeks from the date of order. Bold packing quantity is our mandatory packing. Orders to be placed by Legrand (India) Stockist in multiples of the same.



**NEW!**

## Class I (T1) low voltage SPDs

Cat.Nos	Number of poles	Neutral position	Total (10/350)	Remote status monitoring (FS contact)	Number of modules	LP* ₹ / Unit	Pack
---------	-----------------	------------------	----------------	---------------------------------------	-------------------	--------------	------

**SPDs for general protection of main distribution board**

### T1+T2 - Iimp 12,5 kA/pole T2 - 60 kA

4122 70	1P	-	12.5 kA	No	1	7744	1
4122 76 <sup>1</sup>	1P+N	Right	25 kA	Yes	2	15488	1
4122 71	2P	-	25 kA	No	2	14960	1
4122 72	3P	-	37.5 kA	Yes	3	21076	1
4122 77 <sup>1</sup>	3P+N	Right	50 kA	Yes	4	28240	1
4122 73	4P	-	50 kA	No	4	25852	1

### T1+T2 - Iimp 8 kA/pole T2 - 60 kA

4122 50	1P	-	8 kA	No	1	7354	1
4122 56 <sup>1</sup>	1P+N	Right	16 kA	No	2	13376	1
4122 51	2P	-	16 kA	No	2	14212	1
4122 52	3P	-	25 kA	No	3	20020	1
4122 57 <sup>1</sup>	3P+N	Right	25 kA	No	4	24332	1
4122 53	4P	-	32 kA	No	4	25786	1



4122 57

**SPDs for high risk level installations**

### T1 - Iimp 50 kA/pole - 440 V~ (IT) - Monobloc

0030 00 <sup>2</sup>	1P	-	50 kA	No	2	7152	1
----------------------	----	---	-------	----	---	------	---

### T1 - Iimp 35 kA/pole - 440 V± (IT) - Plug-in

4122 80	1P	-	35 kA	Yes	2	6794	1
---------	----	---	-------	-----	---	------	---

### T1 - Iimp 25 kA/pole

4122 81 <sup>1</sup>	1P+N	Right	50 kA	Yes	4	8912	1
4122 82	3P	-	75 kA	Yes	6	46316	1
4122 83 <sup>1</sup>	3P+N	Right	100 kA	Yes	8	50948	1



4122 83

**Replacement plug-in modules**

Cat.Nos	Description	LP* ₹ / Unit	Pack
---------	-------------	--------------	------

4123 02	For SPDs T1+T2 - 8 kA Cat.Nos 4122 50/ 51/52/53/56/57	5970	1
4123 03	For SPDs T1+T2 - 12.5 kA Cat.Nos 4122 70/ 71/72/73/76/77	5632	1
4122 84	For SPDs T1 - 25 kA Cat.Nos 4122 81/82/83 and 0030 20/22/23/27	16210	1
4122 85	N-PE module for SPDs T1 - 25 kA Cat.Nos 4122 81/83 and 0030 23	22000	1
4122 86	For SPDs T1 - 35 kA Cat.No 4122 80	5438	1



4123 03



4122 84

**Cabling accessories**

4123 10	Ready to use cabling kit consisting of 5 conductors (including the earth conductor). Cross section :16 mm <sup>2</sup> Length : 40 cm For cabling SPDs in industrial enclosures (for EN/IEC 61439 compliance).	1158	1
---------	---	------	---

\* LP - List Price Inclusive of excise duty but exclusive of sales tax or any other taxes.

<sup>1</sup> 1P+N and 3P+N: L-N and N-PE protection modes (common and differential modes), the N pole being protected by encapsulated spark gaps. Also called sometimes 1+1 and 3+1

<sup>2</sup> Replaced mid 2015 by Cat.No 4122 80

Red Cat.Nos - new products

**NEW!**

## Class II (T2) low voltage SPDs

Cat.Nos	Number of poles	Neutral position	Remote status monitoring (FS contact)	Number of modules	LP* ₹ / Unit	Pack
---------	-----------------	------------------	---------------------------------------	-------------------	--------------	------

**T2 SPDs**

### T2 - I<sub>max</sub> 40 kA/pole

4122 40	1P	-	No	1	5314	1
4122 46 <sup>1</sup>	1P+N	Right	No	2	10120	1
4122 41	2P	-	No	2	10120	1
4122 42	3P	-	Yes	3	14822	1
4122 47 <sup>1</sup>	3P+N	Right	No	4	18040	1
4122 43	4P	-	No	4	18040	1



4122 43

### T2 - I<sub>max</sub> 40 kA/pole - 440 V~ (IT)

4122 30	1P	-	No	1	7040	1
4122 32	3P	-	Yes	3	21076	1
4122 33	4P	-	Yes	4	25852	1

### T2 - I<sub>max</sub> 20 kA/pole

4122 20	1P	-	No	1	3632	1
4122 26 <sup>1</sup>	1P+N	Right	No	2	7920	1
4122 21	2P	-	No	2	7920	1
4122 27 <sup>1</sup>	3P+N	Right	No	4	14740	1
4122 23	4P	-	No	4	14740	1

**Replacement plug-in modules**

Cat.Nos	Description	LP* ₹ / Unit	Pack
---------	-------------	--------------	------

4122 99	For SPDs T2 - 40 kA Cat.Nos 4122 40/ 41/42/43/44/45/ 46/47/66/67	3844	1
4123 00	N-PE module for SPDs T2 - 40 kA Cat.Nos 4122 46/47	7690	1
4123 01	For SPDs T2 - 440 V Cat.Nos 4122 30/32/33	5914	1
4122 97	For SPDs T2 - 20 kA Cat.Nos 4122 20/ 21/23/26/27/62/63	2904	1
4123 98	N-PE module for SPDs T2 - 20 kA Cat.Nos 4122 24/25/26/27	6206	1



4122 99

**Bold Cat.Nos** are products normally available with Legrand (India) Stockists. Cat.Nos that are not bold - delivery within 4 - 8 weeks from the date of order. Bold packing quantity is our mandatory packing. Orders to be placed by Legrand (India) Stockist in multiples of the same.

## Class II (T2) low voltage SPDs with integrated protection

**NEW!**

### Protection for consumer units

#### T2 self protected SPDs - I<sub>max</sub> 12 kA/pole

Cat.Nos	Number of poles	Neutral position	Integrated protection	Number of modules	LP* ₹ / Unit	Pack
0039 51 <sup>1</sup>	1P+N	Left	I <sub>sc</sub> ≤ 6 kA	2	9834	1
0039 53 <sup>1</sup>	3P+N	Left	I <sub>sc</sub> ≤ 6 kA	6	21450	1



0039 51



0039 53

### Protection for secondary distribution boards

#### T2 self protected SPDs - I<sub>max</sub> 12 kA/pole

Cat.Nos	Number of poles	Neutral position	Integrated protection	Number of modules	LP* ₹ / Unit	Pack
0039 71 <sup>1</sup>	1P+N	Left	I <sub>sc</sub> ≤ 10 kA	2	8140	1
0039 73 <sup>1</sup>	3P+N	Left	I <sub>sc</sub> ≤ 10 kA	6	15400	1

**NEW!**

### Replacement plug-in modules

Cat.Nos	Description	LP* ₹ / Unit	Pack
0039 54	Cat.Nos 0039 51/53	6380	1
0039 74	Cat.Nos 0039 71/73	6600	1

#### For self protected SPDs

0039 54	Cat.Nos 0039 51/53	6380	1
0039 74	Cat.Nos 0039 71/73	6600	1



0039 54

#### For old SPDs

0039 28	Cat.Nos 0039 20/21/22/23	6648	1
0039 34	Cat.Nos 0039 30/31/32/33	5996	1
0039 39	Cat.Nos 0039 35/36/38	5086	1
0039 44	Cat.Nos 0039 40/41/43	4072	1

## SPDs for telephone lines

Cat.Nos	In/I <sub>max</sub>	Max. voltage (UC)	Level of protection (Up)	No. of modules	LP* ₹ / Unit	Pack
0038 28	5/10 kA	170 V	260 V	1	11880	1

### SPDs for telephone and data lines

#### "Analogue" SPD (STN, non-unbundled ADSL, etc.)

0038 28	5/10 kA	170 V	260 V	1	11880	1
---------	---------	-------	-------	---	-------	---

#### "Digital" SPD (unbundled ADSL, SDSL, ISDN, etc.)

0038 29	5/10 kA	48 V	100 V	1	11012	1
---------	---------	------	-------	---	-------	---



0038 28



0038 29

\* LP - List Price Inclusive of excise duty but exclusive of sales tax or any other taxes.

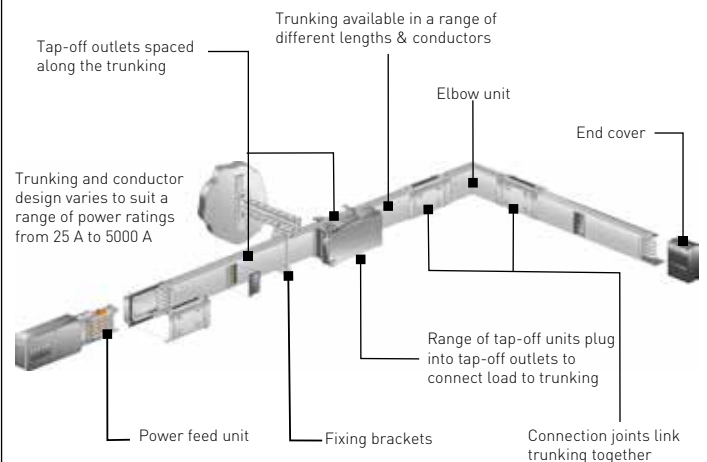
<sup>1</sup> 1P+N and 3P+N: L-N and N-PE protection modes (common and differential modes), the N pole being protected by encapsulated spark gaps. Also called sometimes 1+1 and 3+1

Red Cat.Nos - new products

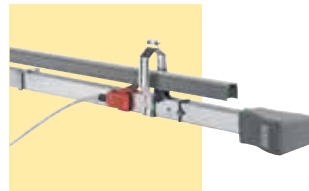
ZUCCHINI™

# Busbar Trunking System

For Industrial, commercial, residential and service sector buildings.



## Exclusive features



### Low Power (25 A, 40 A, 63 A)

- Lighting busway
- 2, 4 & 6 pole
- IP 55 protection
- Tap off units at each 0.5 mt interval
- Copper busbars



### Medium Power (63 A - 1000 A)

- Riser mains application
- IP 40, IP 52, IP 55 protection
- Tap off units at each 1 mt interval
- Aluminium & copper busbars



### High Power (1000 A - 5000 A)

- Air insulated type construction
- IP 30/31 protection
- Tap off boxes at each 1 mt interval
- Aluminium & copper busbars



### Super Compact (630 A - 5000 A)

- Sandwich type construction
- IP 56 protection
- Tap off boxes at each 1 mt interval
- Aluminium & copper busbars

discover more on : [www.zucchinispa.it](http://www.zucchinispa.it)



for product enquires and prices please contact Legrand personnel

**Bold Cat.Nos** are products normally available with Legrand (India) Stockists. **Cat.Nos that are not bold** - delivery within 4 - 8 weeks from the date of order. **Bold packing quantity** is our mandatory packing. Orders to be placed by Legrand (India) Stockist in multiples of the same.

## DX<sup>3</sup> changeover switches

Cat.Nos	Description	LP* ₹ / Unit	Pack
---------	-------------	--------------------	------

### Changeover Switches

#### Single pole - two way - 250 V AC

4129 00	32 A	3128	10/100
---------	------	------	--------

#### Double pole - two way - 400 V AC

4129 01	32 A	3128	5/50
---------	------	------	------

#### Double pole - two way with centre off - 400 V AC

4129 03	32 A	3274	5/50
---------	------	------	------

#### Four pole - two way with centre off - 400 V AC

6040 22	40 A	4806	2/20
---------	------	------	------

## DX<sup>3</sup> push button

### Push button cum switch

#### Push button cum switch - 1 module - 20 A-250 V AC

##### Single function

4129 08	Contact 1 NO	2728	10/100
4129 09	Contact 1 NC	2728	10/60
4129 10	Contact 2 NO	2728	10/60

##### Dual function

4129 14	Contact - 1 NO + green indicator	2728	10/100
4129 15	Contact - 1 NC + red indicator	2728	10/60

## DX<sup>3</sup> indicators

### Single indicators - 1 module - 250 V AC

Possible to replace E10 lamps and diffusers.  
E10 - 1.2 Watt, 230 V AC

4129 26	Colour - Green	682	10/100
4129 27	Colour - Red	682	10/100
4129 28	Colour - Orange	682	10/100
4129 29	Colour - Blue	682	10/100
4129 32	White + White + White	1366	10/100
4129 33	Red + Red + Red	1366	10/100
4129 34	Red + Yellow + Green	1366	10/100
4129 35	Red + Yellow + Blue	1366	10/100

## Lexic dimmer

### Dimmer

#### 1000 W remote dimmer

0036 71	1000 W universal remote control dimmer 6 module	40466	1/10
---------	---	-------	------

## Lexic time switches

### Multifunction time delay relay

- Supply voltage : 12 to 230 V AC 50/60 Hz and DC
- Output : 8 A - 250 V AC,  $\cos\phi = 1$
- Contact NO

0047 44	Multifunction time delay relay	12756	1
---------	-----------------------------------	-------	---

\*LP - List Price Inclusive of excise duty but exclusive of sales tax or any other taxes.

Red Cat.Nos - new products

## Rex modular time switches

Cat.Nos	Description	LP* ₹ / Unit	Pack
---------	-------------	--------------------	------

### Time lag switch

0047 02	Time lag switch long time (1 module)	6612	10/100
---------	---	------	--------

### Rex surface mounting time switches

#### MaxiRex

6499 15	MaxiRex 4QT (daily)	5294	1/30
6499 14A	MaxiRex 4QTB (daily with IP 53 box)	6112	1
6499 39	MaxiRex 5QW (weekly)	5822	1/30
6499 36A	MaxiRex 4QWB (weekly with IP 53 box)	7134	1

#### EconoRex

0499 86	EconoRex MQT (24 hrs.)	5574	1/30
---------	------------------------	------	------

### Accessories

0498 32	Clip on support frame for facia mounting of MaxiRex QTT and QWT	364	1/5
0044 09	DIN rail adaptor for MaxiRex QTT and QWT	272	1
0044 07	DIN rail adaptor for EconoRex BQTAP	266	1
6499 49	Terminal cover for 4/5 nominal time switch	266	1/30
6499 48	IP53 box for MaxiRex 4 and 5	818	1/10

## Lexic ammeters

### Analogue ammeter

Measures the intensity of the current circulating in an electrical circuit in Amperes (A)

0046 02	Direct connection to alternating or direct current range : 0 - 30 A (4 modules)	5650	1/12
0046 00	Connected using a 5 A current transformer (CT) the meter is fitted with an appropriate dial for the intensity of the current being measured (4 modules)	5650	1/12

### Measuring dials for ammeter Cat.No 0046 00

0046 10	0 - 50 A	332	2/84
0046 13	0 - 100 A	332	2/84
0046 15	0 - 200 A	332	2/84
0046 17	0 - 300 A	332	2/84
0046 18	0 - 400 A	332	2/84
0046 20	0 - 600 A	332	2/84
0046 21	0 - 800 A	332	2/84
0046 22	0 - 1000 A	332	2/84

### Current transformers

- Used with ammeters
- Supply a current of 0 to 5 A to the secondary which is proportional to the primary current.
- Fix to plate or rail EN 50022

0046 31	<b>50/5</b> Precision in % - 3 Power in VA - 2	2576	1/12
0046 34	<b>100/5</b> Precision in % - 1 Power in VA - 2	3440	1/12

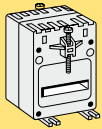
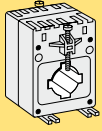
Bold Cat.Nos are products normally available with Legrand (India) Stockists. Cat.Nos that are not bold - delivery within 4 - 8 weeks from the date of order. Bold packing quantity is our mandatory packing. Orders to be placed by Legrand (India) Stockist in multiples of the same.

## Lexic ammeters

Cat.Nos	Description	LP* ₹ / Unit	Pack
---------	-------------	-----------------	------

### Current transformers

0046 36	<b>200/5</b> Precision in % - 1 Power in VA - 4	3564	1/12
0047 75	<b>300/5</b> Precision in % - 1 Power in VA - 8	3394	1/12
0046 38	<b>400/5</b> Precision in % - 1 Power in VA - 12	3564	1/12
0047 76	<b>600/5</b> Precision in % - 1 Power in VA - 15	3616	1/12
0047 77	<b>800/5</b> Precision in % - 1 Power in VA - 12	5296	1/12
0047 78	<b>1000/5</b> Precision in % - 1 Power in VA - 12	5596	1/12
0047 79	<b>1200/5</b> Precision in % - 1 Power in VA - 15	6530	1/12



## Lexic voltmeters

### Analogue voltmeter

Used to measure the AC or DC voltage (V) in an electrical circuit

0046 60	Range 0-500 V - 4 M ▲	5930	1/12
---------	-----------------------	------	------



0046 63

### Digital ammeter / voltmeter

0046 63	0-1200 A, 0-500 V	14904	1
---------	-------------------	-------	---

## Lexic selector switches

### Selector switches

For manual switching of circuits being measured

#### 4-position ammeter selector switch

0046 50	For measuring currents in a 3-phase circuit using only 1 ammeter with a current transformer - 3 M ▲	6200	1/20
---------	---	------	------

#### 4-position voltmeter selector switch

0046 52	For measuring phase-to-phase voltages of a 3-phase circuit without neutral using only 1 voltmeter - 3 M ▲	5690	1/20
---------	---	------	------



0046 52

#### 7-position voltmeter selector switch

0046 53	For measuring phase-to-phase voltages and phase-neutral voltages of a 3-phase circuit with neutral - 3 M ▲	6000	1/20
---------	--	------	------



0046 53

# Ekinox<sup>3</sup> reinvented energy distribution



With Ekinox<sup>3</sup>, we've pushed best to a better level. While others have designed countless variations of distribution boards, no one has really understood the need and complexities of projects with variable power requirements.



Ekinox<sup>3</sup>

**Ekinox<sup>3</sup> reinvented  
electrical safety**

Refer p. 52-55

\*LP - List Price Inclusive of excise duty but exclusive of sales tax or any other taxes.

▲ M = Module

Bold Cat.Nos are products normally available with Legrand (India) Stockists. Cat.Nos that are not bold - delivery within 4 - 8 weeks from the date of order. Bold packing quantity is our mandatory packing. Orders to be placed by Legrand (India) Stockist in multiples of the same.

# Uncompromising performance for motor protection and control

A complete range of devices for the protection and control of motors



## CTX<sup>3</sup> CONTACTORS AND RTX<sup>3</sup> THERMAL RELAYS UP TO 800 A

- Compact size
- High mechanical and electrical endurance for maximum reliability
- 3 pole and 4 pole contactors
- Screw terminals
- Complete range of auxiliaries and accessories



## MPX<sup>3</sup> MOTOR PROTECTION CIRCUIT BREAKERS UP TO 100 A

- High breaking capacity and type 2 coordination for an optimum service level
- Trip class 10
- Sensitive to phase loss
- Compact size
- Can be fixed on 35 mm DIN rail or using screws
- Easy combination with CTX<sup>3</sup> 3 pole contactors
- Complete range of control and signalling auxiliaries and accessories



# Ekinox<sup>3</sup> reinvented energy distribution

Ekinox<sup>3</sup> is an experience unlike any other. Imagine a distribution board built with incredible features which keep you away from the worry of constantly maintaining it. Ekinox<sup>3</sup> is designed to work as beautifully as it looks.



## Ekinox<sup>3</sup> SPN DB's

for DX<sup>3</sup> MCB, Isolator, RCCB and RCBO

**NEW!**

Cat.Nos	Number of ways	No. of modules	MRP* ₹ / Unit	Pack
---------	----------------	----------------	------------------	------

- As per IEC 61439-3
- Suitable for Flush Mounting and Surface Mounting
- With 100 A Copper Busbar
- With Neutral bar, Earthbar and Cable ties for Cable management
- Fully shrouded Neutral bars
- Prefitted masking sheet
- Reversible Door for IP 43 & IP 54 DB's

### IP 30 - #IK 08

5076 00	4 way	4	1294	1
5076 01	8 way	8	1622	1
5076 02	12 way	12	1922	1
5076 03	16 way	16	2370	1
5076 04	18 way	18	2760	1
5076 05	20 way	20	2834	1



5076 05

### IP 43 - #IK 09 with metal door

5076 10	4 way	4	1738	1
5076 11	8 way	8	2156	1
5076 12	12 way	12	2592	1
5076 13	16 way	16	3254	1
5076 14	18 way	18	3316	1
5076 15	20 way	20	4022	1



5076 12

### IP 43 - #IK 09 with acrylic door

5076 20	4 way	4	2220	1
5076 21	8 way	8	2566	1
5076 22	12 way	12	3122	1
5076 23	16 way	16	3880	1
5076 24	18 way	18	4256	1
5076 25	20 way	20	4548	1

### IP 54 - #IK 09

5076 40	4 way	4	5828	1
5076 41	8 way	8	6850	1
5076 42	12 way	12	7870	1
5076 43	16 way	16	8754	1
5076 44	18 way	18	9200	1
5076 45	20 way	20	9716	1



5076 42

## Ekinox<sup>3</sup> ETPN DB's

for DX<sup>3</sup> MCB, Isolator, RCCB and RCBO

- As per IEC 61439-3
- Suitable for Flush Mounting and Surface Mounting
- With 100 A Copper Busbar for each phase
- With Neutral bar, Earthbar and Cable ties for Cable management
- Fully insulated busbar & shrouded Neutral bars
- Improved Pan assembly for ease of installation
- Prefitted masking sheet
- Reversible Door for IP 43 & IP 54 DB's
- With provision for FP MCB/Isolator/RCCB/RCBO as incomer and SP MCB's as outgoing
- Supplied with wireset
- Can be converted to PPI DB at site using conversion kit

### IP 30 - #IK 08

5076 60	4 way	8+12	3576	1
5076 61	6 way	8+18	4412	1
5076 62	8 way	8+24	5186	1
5076 63	12 way	8+36	7686	1
5076 64	16 way	8+48	9476	1
5076 66	20 way	8+60	13218	1



5076 61

\* MRP - Maximum Retail Price Inclusive of all taxes.

#IK - Refer pg - 60 for ready reckoner table.

Red Cat.Nos - new products

## Ekinox<sup>3</sup> ETPN DB's

for DX<sup>3</sup> MCB, Isolator, RCCB and RCBO

**NEW!**

Cat.Nos	Number of ways	No. of modules	MRP* ₹ / Unit	Pack
---------	----------------	----------------	------------------	------

### IP 43 - #IK 09 with metal door

5076 70	4 way	8+12	4252	1
5076 71	6 way	8+18	5244	1
5076 72	8 way	8+24	6286	1
5076 73	12 way	8+36	9418	1
5076 74	16 way	8+48	11678	1
5076 76	20 way	8+60	16348	1



5076 82

### IP 43 - #IK 09 with acrylic door

5076 80	4 way	8+12	5526	1
5076 81	6 way	8+18	6824	1
5076 82	8 way	8+24	8186	1
5076 83	12 way	8+36	12554	1
5076 84	16 way	8+48	15066	1
5076 86	20 way	8+60	21092	1

### IP 54 - #IK 09

5076 90	4 way	8+12	13886	1
5076 91	6 way	8+18	16710	1
5076 92	8 way	8+24	18276	1
5076 93	12 way	8+36	25758	1
5076 94	16 way	8+48	30910	1
5076 96	20 way	8+60	38674	1

## Ekinox<sup>3</sup> Flexy DB

for DX<sup>3</sup> DIN modular products

Cat.Nos	Number of row	No. of modules	MRP* ₹ / Unit	Pack
---------	---------------	----------------	------------------	------

- As per IEC 61439-3
- Suitable for Flush Mounting and Surface Mounting
- Completely flexible to organise the distribution as per site requirements
- Busbars to be selected as per distribution requirements
- With Neutral and Earth bars
- Fully shrouded Neutral bars
- Improved Pan assembly for ease of installation
- Prefitted masking sheet
- Reversible door for IP 43

### IP 30 - #K 08

5077 01	2 row of 14 M	28	4532	1
5077 02	3 row of 14 M	42	5438	1
5077 03	4 row of 14 M	56	6230	1



5077 01

### IP 43 - #IK 09 with metal door

5077 05	2 row of 14 M	28	5340	1
5077 06	3 row of 4 M	42	6418	1
5077 07	4 row of 14 M	56	6990	1
5077 12	3 row of 14 M	42	7056	1

MCCB for DPX<sup>3</sup>  
160 MCCB



5077 11

### IP 43 - #IK 09 with acrylic door

5077 09	2 row of 14 M	28	5648	1
5077 10	3 row of 14 M	42	6932	1
5077 11	4 row of 14 M	56	7848	1
5077 13	3 row of 14 M	42	8320	1

MCCB for DPX<sup>3</sup>  
160 MCCB

Bold Cat.Nos are products normally available with Legrand (India) Stockists. Cat.Nos that are not bold - delivery within 4 - 8 weeks from the date of order. Bold packing quantity is our mandatory packing. Orders to be placed by Legrand (India) Stockist in multiples of the same.



## Ekinox<sup>3</sup> TPN DB-VTPN DB's

for DX<sup>3</sup> MCB, Isolator, RCCB and RCBO

**NEW!**

Cat.Nos	Number of ways	No. of modules	MRP* ₹ / Unit	Pack
---------	----------------	----------------	------------------	------

- As per IEC 61439-3
- Suitable for Flush Mounting and Surface Mounting
- With 100 A Copper Busbar for each phase
- With 2 Neutral bar, 2 Earthbar and Cable ties for Cable management
- Fully insulated busbar & shrouded Neutral bars
- Improved Pan assembly for ease of installation
- Prefitted masking sheet
- Reversible Door for IP 43 & IP 54 DB's
- With provision for FP MCB/Isolator/RCCB/RCBO as incomer and SP/TP MCB's as outgoing



5077 20

### IP 30 - #IK 08

5077 20	4 way	8+12	9970	1
5077 21	6 way	8+18	10968	1
5077 22	8 way	8+24	12174	1
5077 23	12 way	8+36	17582	1

### IP 43 - #IK 09 with metal door

5077 25	4 way	8+12	10482	1
5077 26	6 way	8+18	11530	1
5077 27	8 way	8+24	13334	1
5077 28	12 way	8+36	17940	1

### IP 43 - #IK 09 with acrylic door

5077 30	4 way	8+12	14198	1
5077 31	6 way	8+18	15618	1
5077 32	8 way	8+24	18048	1
5077 33	12 way	8+36	24082	1



5077 31

### IP 54 - #IK 09

5077 35	4 way	8+12	22492	1
5077 36	6 way	8+18	24742	1
5077 37	8 way	8+24	27054	1
5077 38	12 way	8+36	36050	1

## Ekinox<sup>3</sup> TPN DB-VTPN DPX<sup>3</sup> 160 MCCB DB's

- As per IEC 61439-3
- Suitable for Flush Mounting and Surface Mounting
- With 250 A Copper Busbar for each phase
- With 2 Neutral bar, 2 Earthbar and Cable ties for Cable management
- Fully insulated busbar & shrouded Neutral bars
- Improved Pan assembly for ease of installation
- Prefitted masking sheet
- Reversible Door for IP 43 & IP 54 DB's
- With provision for DPX<sup>3</sup> 160 MCCB as incomer and SP/TP MCB's as outgoing

### IP 30 - #IK 08

5077 40	4 way	DPX <sup>3</sup> 160+12	11500	1
5077 41	6 way	DPX <sup>3</sup> 160+18	12420	1
5077 42	8 way	DPX <sup>3</sup> 160+24	13612	1
5077 43	12 way	DPX <sup>3</sup> 160+36	20576	1

### IP 43 - #IK 09 with metal door

5077 45	4 way	DPX <sup>3</sup> 160+12	12632	1
5077 46	6 way	DPX <sup>3</sup> 160+18	14352	1
5077 47	8 way	DPX <sup>3</sup> 160+24	15794	1
5077 48	12 way	DPX <sup>3</sup> 160+36	21124	1

\* MRP - Maximum Retail Price Inclusive of all taxes.

#IK - Refer pg - 60 for ready reckoner table.

Red Cat.Nos - new products

## Ekinox<sup>3</sup> TPN DB-VTPN DPX<sup>3</sup> 160 MCCB DB's

**NEW!**

Cat.Nos	Number of ways	No. of modules	MRP* ₹ / Unit	Pack
---------	----------------	----------------	------------------	------

### IP 54 - #IK 09

5077 50	4 way	DPX <sup>3</sup> 160+12	25882	1
5077 51	6 way	DPX <sup>3</sup> 160+18	29762	1
5077 52	8 way	DPX <sup>3</sup> 160+24	31112	1
5077 53	12 way	DPX <sup>3</sup> 160+36	41782	1



5077 53

## Ekinox<sup>3</sup> TPN DB-VTPN DPX<sup>3</sup> 250 MCCB DB's

- As per IEC 61439-3
- Suitable for Flush Mounting and Surface Mounting
- With 250 A Copper Busbar for each phase
- With 2 Neutral bar, 2 Earthbar and Cable ties for Cable management
- Fully insulated busbar & shrouded Neutral bars
- Improved Pan assembly for ease of installation
- Prefitted masking sheet
- Reversible Door for IP 43 & IP 54 DB's
- With provision for DPX<sup>3</sup> 250 MCCB as incomer and SP/TP MCB's as outgoing

### IP 30 - #IK 08

5077 55	4 way	DPX <sup>3</sup> 250+12	20948	1
5077 56	8 way	DPX <sup>3</sup> 250+24	22488	1
5077 57	12 way	DPX <sup>3</sup> 250+36	25064	1



5077 55

### IP 43 - #IK 09 with metal door

5077 58	4 way	DPX <sup>3</sup> 250+12	23386	1
5077 59	8 way	DPX <sup>3</sup> 250+24	27308	1
5077 60	12 way	DPX <sup>3</sup> 250+36	28780	1

### IP 54 - #IK 09

5077 61	4 way	DPX <sup>3</sup> 250+12	36490	1
5077 62	8 way	DPX <sup>3</sup> 250+24	41210	1
5077 63	12 way	DPX <sup>3</sup> 250+36	48256	1

## Ekinox<sup>3</sup> TPN DB-Phase selector DB's for DX<sup>3</sup> MCB, Isolator, RCCB and RCBO

- As per IEC 61439-3
- With inbuilt 3 nos of 63 A Phase selector switches and 3 Nos Piano Switches
- Suitable for Flush Mounting and Surface Mounting
- With 100 A Copper Busbar for each phase
- With Neutral bar, Earthbar and Cable ties for Cable management
- Fully insulated busbar & shrouded Neutral bars
- With provision for FP MCB/Isolator/RCCB/RCBO as incomer and SP MCB's as outgoing
- Supplied with wire set

### IP 30 - #IK 08

5077 70	4 way	8+12	13920	1
5077 71	6 way	8+18	14806	1
5077 72	8 way	8+24	16402	1
5077 73	12 way	8+36	18010	1



5077 81

### IP 43 - #IK 09 with metal door

5077 80	4 way	8+12	15056	1
5077 81	6 way	8+18	15298	1
5077 82	8 way	8+24	16390	1
5077 83	12 way	8+36	18452	1

Bold Cat.Nos are products normally available with Legrand (India) Stockists. Cat.Nos that are not bold - delivery within 4 - 8 weeks from the date of order. Bold packing quantity is our mandatory packing. Orders to be placed by Legrand (India) Stockist in multiples of the same.

## Ekinox<sup>3</sup> TPN DB - 7 segment DB's for DX<sup>3</sup> MCB, Isolator, RCCB and RCBO

**NEW!**

Cat.Nos	Number of ways	No. of modules	MRP* ₹ / Unit	Pack
---------	----------------	----------------	---------------	------

- As per IEC 61439-3
- Separate compartment for incomer, sub-incomer & outgoing devices
- Suitable for Flush Mounting and Surface Mounting
- With 100 A Copper Busbar for each phase
- With Neutral bar, Earthbar and Cable ties for Cable management
- Fully insulated busbar & shrouded Neutral bars
- With provision for FP MCB/Isolator/RCCB/RCBO as incomer and SP MCB's as outgoing
- Supplied with wire set
- DB with phase segmentation and separation between incomer and Outgoings

### IP 30 - #IK 08

5078 80	4 way	8+12+12	10114	1
5078 81	6 way	8+12+18	10874	1
5078 82	8 way	8+12+24	11816	1
5078 83	12 way	8+12+36	13600	1

### IP 43 - #IK 09 with metal door

5078 85	4 way	8+12+12	11150	1
5078 86	6 way	8+12+18	12560	1
5078 87	8 way	8+12+24	14026	1
5078 88	12 way	8+12+36	17438	1



5078 86

## Ekinox<sup>3</sup> TPN DB - 7 segment DB's for 160 A DPX<sup>3</sup> MCCB

- As per IEC 61439-3
- DB with phase segmentation and separation between incomer and Outgoings
- Suitable for Flush Mounting and Surface Mounting
- With 100 A Copper Busbar for each phase
- With Neutral bar, Earthbar and Cable ties for Cable management
- Fully Color Shrouded Insulated bus bar and Neutral bars
- With provision for DPX<sup>3</sup> 160 MCCB as incomer DP MCB/Isolator/RCCB/RCBO as sub incomers and SP MCB's as outgoing
- Supplied with wire set

### IP 30 - #IK 08

5078 90	4 way	DPX <sup>3</sup> 160+12+12	14456	1
5078 91	6 way	DPX <sup>3</sup> 160+12+18	16632	1
5078 92	8 way	DPX <sup>3</sup> 160+12+24	19114	1
5078 93	12 way	DPX <sup>3</sup> 160+12+36	22190	1

\* MRP - Maximum Retail Price Inclusive of all taxes.  
#IK - Refer pg - 60 for ready reckoner table.  
Red Cat.Nos - new products

## Ekinox<sup>3</sup> TPN DB - 7 segment DB's for 160 A DPX<sup>3</sup> MCCB

**NEW!**

Cat.Nos	Number of ways	No. of modules	MRP* ₹ / Unit	Pack
---------	----------------	----------------	---------------	------

### IP 43 - #IK 09 with metal door

5078 95	4 way	DPX <sup>3</sup> 160+12+12	15920	1
5078 96	6 way	DPX <sup>3</sup> 160+12+18	18220	1
5078 97	8 way	DPX <sup>3</sup> 160+12+24	20864	1
5078 98	12 way	DPX <sup>3</sup> 160+12+36	23762	1



5078 95

## Ekinox<sup>3</sup> Metra plug & socket DB's for DX<sup>3</sup> MCB, RCCB and RCBO

Cat.Nos	Description	No. of modules	MRP* ₹ / Unit	Pack
---------	-------------	----------------	---------------	------

- As per IEC 61439-3
- Suitable for Flush Mounting and Surface Mounting
- Suitable for protection of appliances like AC/Geyser etc
- Supplied with Neutral Links
- With provision for mounting modular devices

### #IK 08

5078 10	10 A SP, 2P+E	1	1720	1
5078 11	20 A SP, 2P+E	1	1850	1
5078 14	20 A DP, 2P+E	2	2012	1
5078 17	20 A TP, 3P+E	3	3410	1
5078 18	32 A TP, 3P+E	3	4046	1
5078 20	20 A DP RCBO, 2P+E	4	1950	1
5078 21	20 A FP RCBO, 2P+E	8	3406	1
5078 22	32 A FP RCBO, 3P+E	8	4016	1



5078 14



5078 22



5078 60



5078 62



5078 64

## Ekinox<sup>3</sup> P-17 Tempra plug & socket DB's for DX<sup>3</sup> MCB, RCCB and RCBO

- As per IEC 61439-3
- Suitable for Flush Mounting and Surface Mounting
- Supplied with Neutral Links
- With provision for mounting modular devices

### #IK 08

5078 60	16 A 2P+E-DP	2	2840	1
5078 63	32 A 2P+E-DP	2	3064	1
5078 61	32 A 3P+E-FP	8	4294	1
5078 62	32 A 3P+N+E-FP	8	5580	1
5078 64	63 A 3P+N+E-FP	8	14196	1

Bold Cat.Nos are products normally available with Legrand (India) Stockists. Cat.Nos that are not bold - delivery within 4 - 8 weeks from the date of order. Bold packing quantity is our mandatory packing. Orders to be placed by Legrand (India) Stockist in multiples of the same.

## Ekinox<sup>3</sup> Metal enclosures

for DX<sup>3</sup> MCB, RCCB, RCBO and DPX<sup>3</sup> MCCB's

**NEW!**

Cat.Nos	Description	No. of modules	MRP* ₹ / Unit	Pack
---------	-------------	----------------	---------------	------

- As per IEC 61439-3
- For independent mounting of DX<sup>3</sup> MCB, RCCB, RCBO, DPX<sup>3</sup> 160, DPX<sup>3</sup> 250, DPX<sup>3</sup> 630 & DRX MCCB's
- #IK 08

### #IK 08

5077 90	SP enclosure	1	460	1
5077 91	DP enclosure	2	672	1
5077 92	TP enclosure	3	672	1
5077 93	FP enclosure	4	672	1
5077 94	FP RCBO enclosure	8	1138	1

### Metal one way enclosures for MCCB

5078 01	DPX <sup>3</sup> 160 MCCB enclosure	3&4	3866	1
5078 02	DPX <sup>3</sup> 250 MCCB enclosure	3&4	6866	1
5078 04	DPX <sup>3</sup> 630 MCCB enclosure	3&4	10408	1
5078 05	DRX 100 MCCB enclosure-TP	3&4	2066	1

## Ekinox<sup>3</sup> cable end box

Cat.Nos	Description	MRP* ₹ / Unit	Pack
---------	-------------	---------------	------

- Useful for keeping extra cables
- Possible to mount on the top or bottom of the DB
- Provision for mounting terminal blocks
- Can be used as a terminal box adaptor also

### For IP 30 DB's

5079 10	For SPN 4 W IP30	656	1
5079 12	For SPN 8 W IP30	762	1
5079 14	For SPN 12 W/ VTPN/Flexy	844	1
5079 16	For SPN 16 W/ ETPN 6 way DB	1190	1
5079 21	For ETPN 4 way DB	1144	1
5079 23	For ETPN 6 way DB	1190	1
5079 25	For ETPN 8 way DB	2126	1
5079 27	For ETPN 12 way DB	2832	1
5079 29	For ETPN 16 way DB	2832	1
5079 31	For ETPN 18 way DB	3114	1
5079 33	For ETPN 20 way DB	3114	1
5079 35	For all VTPN/FLEXY MCB	844	1
5079 37	For all VTPN MCCB DBS	3130	1

### For IP 43 DB's

5079 11	For SPN 4 way DB	762	1
5079 13	For SPN 8 way DB	876	1
5079 15	For SPN 12 way/ VTPN/Flexy DB	984	1

\* MRP - Maximum Retail Price Inclusive of all taxes.

#IK - Refer pg - 60 for ready reckoner table.

Red Cat.Nos - new products

**NEW!**

## Ekinox<sup>3</sup> cable end box

Cat.Nos	Description	MRP* ₹ / Unit	Pack
---------	-------------	---------------	------

### For IP 43 DB's

5079 17	For SPN 16 way/ ETPN 6 way DB	1392	1
5079 18	For SPN 18 way DB	1426	1
5079 19	For SPN 20 way DB	1460	1
5079 22	For ETPN 4 way DB	1268	1
5079 24	For ETPN 6 way DB	1392	1
5079 26	For ETPN 8 way DB	2440	1
5079 28	For ETPN 12 way DB	3254	1
5079 30	For ETPN 16 way DB	3254	1
5079 32	For ETPN 18 way DB	3576	1
5079 34	For ETPN 20 way DB	3576	1
5079 36	For all VTPN/Flexy MCB	984	1
5079 38	For all VTPN MCCB DBs	3524	1

## Ekinox<sup>3</sup> DBs

### meter box

- Suitable for Mounting DX<sup>3</sup> Metering products
- Possible to mount on the top or bottom of the DB
- Provision for mounting Ammeter/Voltmeter/ASS/VSS
- #IK09

### Provision for mounting meters

5079 40	For VTPN MCB INCOM IP 30	4264	1
5079 41	For VTPN MCB INCOM IP 43	5116	1
5079 42	For VTPN MCCB INCOM IP 30	4738	1
5079 43	For VTPN MCCB INCOM IP 43	5684	1

### Per phase Isolation kit

5079 44	PPI conversion kit for ETPN 4 way DB	2448	1
5079 45	PPI conversion kit for ETPN 6 way DB	2756	1
5079 46	PPI conversion kit for ETPN 8 way DB	3292	1
5079 47	PPI conversion kit for ETPN 12 way DB	3558	1
5079 48	PPI conversion kit for ETPN 16 way DB	3998	1

### Panel locks

5079 52	Panel knob for IP 43	276	1
5079 51	Panel knob with key	586	1

Bold Cat.Nos are products normally available with Legrand (India) Stockists. Cat.Nos that are not bold - delivery within 4 - 8 weeks from the date of order. Bold packing quantity is our mandatory packing. Orders to be placed by Legrand (India) Stockist in multiples of the same.

5077 91

5077 93

5079 43

5079 12

5079 16

5079 27

## Ekinox™ distribution boards

Cat.Nos	Number of ways	No. of modules	LP* ₹ / Unit	Pack
---------	----------------	----------------	--------------	------

### SPN DBs

For DX<sup>3</sup>/MCB, Isolator, RCCB and RCBO  
IP 20 - #IK 08

6077 00	4 way	4	1294	1
6077 01	8 way	8	1622	1
6077 02	12 way	12	1922	1
6077 03	16 way	16	2370	1

6077 00

### IP 43 - #IK 09 with metal door

6077 10	4 way	4	1738	1
6077 11	8 way	8	2156	1
6077 12	12 way	12	2592	1
6077 13	16 way	16	3254	1
6077 24	18 way	18	3316	1

6077 10

### IP 43 - #IK 09 with acrylic door

6077 20	4 way	4	2220	1
6077 21	8 way	8	2566	1
6077 22	12 way	12	3122	1
6077 23	16 way	16	3880	1

6077 20

### IP 54 - #IK 09

6077 30	4 way	4	5828	1
6077 31	8 way	8	6850	1
6077 32	12 way	12	7870	1
6077 33	16 way	16	8754	1

6077 30

### TPN DBs - ETPN DBs

For DX<sup>3</sup>/MCB, Isolator, RCCB and RCBO  
With provision for FP MCB/Isolator/RCCB/RCBO as incomer and SP MCBs as outgoing  
Can be converted to PPI DB at site by using conversion kit (refer p. 60)

### IP 20 - #IK 08

6077 05	4 way	8+12	3576	1
6077 06	6 way	8+18	4412	1
6077 07	8 way	8+24	5186	1
6077 08	12 way	8+36	7686	1
6077 09	16 way	8+48	9476	1

6077 07

### IP 43 - #IK 09 with metal door

6077 15	4 way	8+12	4252	1
6077 16	6 way	8+18	5244	1
6077 17	8 way	8+24	6286	1
6077 18	12 way	8+36	9418	1
6077 19	16 way	8+48	11678	1

6077 17

### IP 43 - #IK 09 with acrylic door

6077 25	4 way	8+12	5526	1
6077 26	6 way	8+18	6824	1
6077 27	8 way	8+24	8186	1
6077 28	12 way	8+36	12554	1
6077 29	16 way	8+48	15066	1

6077 27

### IP 54 - #IK 09

6077 35	4 way	8+12	13886	1
6077 36	6 way	8+18	16710	1
6077 37	8 way	8+24	18276	1
6077 38	12 way	8+36	25758	1
6077 39	16 way	8+48	30910	1

6077 37

\*LP - List Price Inclusive of excise duty but exclusive of sales tax or any other taxes.

#IK - Refer pg - 60 for ready reckoner table.

## Ekinox™ distribution boards

Cat.Nos	Number of ways	No. of modules	LP* ₹ / Unit	Pack
---------	----------------	----------------	--------------	------

### TPN DBs - 7 segment DBs

For DX<sup>3</sup>/MCB, Isolator, RCCB and RCBO  
With provision for FP MCB/Isolator/RCCB/RCBO as incomer, DP MCB/Isolator/RCCB/RCBO as subincomer and SP MCBs as outgoing

### IP 20 - #IK 08

6078 25	4 way	8+12+12	10942	1
6078 26	6 way	8+12+18	11916	1
6078 27	8 way	8+12+24	12756	1
6078 28	12 way	8+12+36	14828	1



6078 25

### IP 42 - #IK 09 with metal door

6078 35	4 way	8+12+12	11010	1
6078 36	6 way	8+12+18	12414	1
6078 37	8 way	8+12+24	13718	1
6078 38	12 way	8+12+36	17418	1



6078 35

### TPN DBs - 7 segment DBs

Common for DX<sup>3</sup>/MCB, Isolator and RCD

Cat.Nos	Number of ways	LP* ₹ / Unit	Pack
---------	----------------	--------------	------

With phase segregation and separation between incoming and outgoing.

### IP 20 protection

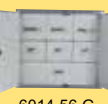
6014 50 G	4	10114	1
6014 51 G	6	10874	1
6014 52 G	8	11816	1
6014 53 G	12	13600	1



6014 52 G

### IP 42 protection - metal door

6014 54 G	4	11150	1
6014 55 G	6	12560	1
6014 56 G	8	14026	1
6014 57 G	12	17438	1



6014 56 G

### TPN DBs - Phase selector DBs

For DX<sup>3</sup>/MCB, Isolator, RCCB and RCBO

Cat.Nos	Number of ways	No. of modules	LP* ₹ / Unit	Pack
---------	----------------	----------------	--------------	------

With provision for FP MCB/Isolator/RCCB/RCBO as incomer and SP MCBs as outgoing with inbuilt 3 nos. of 63 A phase selector switches and 3 nos. piano switches

### IP 20 - #IK 08

6078 65	4 way	8+12	13920	1
6078 66	6 way	8+18	14806	1
6078 67	8 way	8+24	16402	1
6078 68	12 way	8+36	18010	1



6078 66

### IP 42 - #IK 09 with metal door

6078 75	4 way	8+12	15056	1
6078 76	6 way	8+18	15298	1
6078 77	8 way	8+24	16390	1
6078 78	12 way	8+36	18452	1



6078 76

Bold Cat.Nos are products normally available with Legrand (India) Stockists. Cat.Nos that are not bold - delivery within 4 - 8 weeks from the date of order. Bold packing quantity is our mandatory packing. Orders to be placed by Legrand (India) Stockist in multiples of the same.

## Ekinox™ distribution boards

Cat.Nos	Number of ways	No. of modules	LP* ₹ / Unit	Pack
---------	----------------	----------------	-----------------	------

### TPN DBs - VTPN DBs

For DX<sup>3</sup>/MCB, Isolator, RCCB and RCBO

With provision for FP  
MCB/Isolator/RCCB/RCBO  
as incomer and SP / TP MCBs as outgoing till 63 A

#### IP 20 - #IK 08

6077 40	4 way	8+12	9970	1
6077 41	8 way	8+24	12174	1
6077 42	12 way	8+36	17582	1

#### IP 43 - #IK 09 with metal door

6077 50	4 way	8+12	10482	1
6077 51	8 way	8+24	13334	1
6077 52	12 way	8+36	17940	1

#### IP 43 - #IK 09 with acrylic door

6077 60	4 way	8+12	14198	1
6077 61	8 way	8+24	18048	1
6077 62	12 way	8+36	24082	1

#### IP 54 - #IK 09

6077 70	4 way	8+12	22492	1
6077 71	8 way	8+24	27054	1
6077 72	12 way	8+36	36050	1

### 7 Segment DPX<sup>3</sup> MCCB DBs

for DX<sup>3</sup>/MCB, Isolator, RCCB and RCBO

#### IP 20 - IK 08

6079 28	4 way	DPX <sup>3</sup> 160+12+12	14456	1
6079 30	6 way	DPX <sup>3</sup> 160+18+12	16632	1
6079 31	8 way	DPX <sup>3</sup> 160+24+12	19114	1
6079 32	12 way	DPX <sup>3</sup> 160+36+12	22190	1

### TPN DBs - 7 segment DPX<sup>3</sup> MCCB DBs

for DX<sup>3</sup>/MCB, Isolator, RCCB and RCBO

#### IP 42 - IK 09 with metal door

6079 33	4 way	DPX <sup>3</sup> 160+12+12	15920	1
6079 34	6 way	DPX <sup>3</sup> 160+18+12	18220	1
6079 35	8 way	DPX <sup>3</sup> 160+24+12	20864	1
6079 36	12 way	DPX <sup>3</sup> 160+36+12	23762	1

### TPN DBs - DPX<sup>3</sup> 160 MCCB DBs for DX<sup>3</sup>/MCB

#### IP 20 - IK 08

6079 10	4 way	DPX <sup>3</sup> 160+12	11500	1
6079 11	8 way	DPX <sup>3</sup> 160+24	13612	1
6079 12	12 way	DPX <sup>3</sup> 160+36	20576	1

\*LP - List Price Inclusive of excise duty but exclusive of sales tax or any other taxes.

#IK - Refer pg - 60 for ready reckoner table.

Red Cat.Nos - new products

## Ekinox™ distribution boards

Cat.Nos	Number of ways	No. of modules	LP* ₹ / Unit	Pack
---------	----------------	----------------	-----------------	------

### TPN DBs - DPX<sup>3</sup> 160 MCCB DBs for DX<sup>3</sup>/MCB till 63 A as outgoing

#### IP 43 - IK 09 with metal door

6079 13	4 way	DPX <sup>3</sup> 160+12	12632	1
6076 95	6 way	DPX <sup>3</sup> 160+18	14352	1
6079 14	8 way	DPX <sup>3</sup> 160+24	15794	1
6079 15	12 way	DPX <sup>3</sup> 160+36	21124	1

#### IP 54 - IK 09

6079 16	4 way	DPX <sup>3</sup> 160+12	25882	1
6079 17	8 way	DPX <sup>3</sup> 160+24	31112	1
6079 18	12 way	DPX <sup>3</sup> 160+36	41782	1

### TPN DBs - DPX<sup>3</sup> 250 MCCB DBs for DX<sup>3</sup>/MCB till 63 A as outgoing

#### IP 20 - IK 08

6079 19	4 way	DPX <sup>3</sup> 250+12	20948	1
6079 20	8 way	DPX <sup>3</sup> 250+24	22488	1
6079 21	12 way	DPX <sup>3</sup> 250+36	25064	1

#### IP 43 - IK 09 with metal door

6079 22	4 way	DPX <sup>3</sup> 250+12	23386	1
6079 23	8 way	DPX <sup>3</sup> 250+24	27308	1
6079 24	12 way	DPX <sup>3</sup> 250+36	28780	1

#### IP 54 - IK 09

6079 25	4 way	DPX <sup>3</sup> 250+12	36490	1
6079 26	8 way	DPX <sup>3</sup> 250+24	41210	1
6079 27	12 way	DPX <sup>3</sup> 250+36	48256	1

### Flexy DB

For DX<sup>3</sup> modular products

#### IP 20 - #IK 08

6077 45	2 row of 13 modules	26	4532	1
6077 55	3 row of 13 modules	39	5438	1
6077 65	4 row of 13 modules	52	6230	1

#### IP 43 - #IK 09 with metal door

6077 46	2 row of 13 modules	26	5340	1
6077 56	3 row of 13 modules	39	6418	1
6077 66	4 row of 13 modules	52	6990	1
6077 68	8 modules 4 row	32	6458	1
6077 69	10 modules 4 row	40	6698	1
6076 96	13 modules 4 row DPX <sup>3</sup> 160 MCCB	52	7056	1

#### IP 43 - #IK 09 with acrylic door

6077 47	2 row of 13 modules	26	5648	1
6077 57	3 row of 13 modules	39	6932	1
6077 67	4 row of 13 modules	52	7848	1

Bold Cat.Nos are products normally available with Legrand (India) Stockists. Cat.Nos that are not bold - delivery within 4 - 8 weeks from the date of order. Bold packing quantity is our mandatory packing. Orders to be placed by Legrand (India) Stockist in multiples of the same.

## Ekinox™ distribution boards

Cat.Nos	Number of ways	LP* ₹ / Unit	Pack
---------	----------------	--------------	------

### Plexo<sup>3</sup> boxes for DX<sup>3</sup>

Self-extinguishing: resistance to incandescent wire 650 °C  
Conform to EN 60439-3  
Weatherproof cabinets - IP 65 - IK 09 - Class II  
Door and cabinet fully reversible  
Removable chassis and faceplates from 2-row versions up  
2-position rail for modular products and moulded cases  
Spacing between rails 150 mm  
Box colour light grey L750A, cover colour dark grey R746A



6019 94

6019 32	2 (+1) Module	1620	1
6019 94	4 Module	1728	1
6019 96	6 Module	1980	1
6019 98	8 Module	2474	1



6018 32

### Cabinets with 12 modules per row

6018 31	1 row 12 modules	3900	1
6018 32	2 rows 24 modules	5408	1
6018 33	3 rows 36 modules	7540	1

### Cabinets with 18 modules per row

6018 35	18 modules x 1 row	4812	1
6018 36	18 modules x 2 rows	8320	1
6018 37	18 modules x 3 rows	11700	1
6018 38	18 modules x 4 rows	18204	1



6018 32 + 0019 17

### Multifunction sleeves for P17

0019 17	For 2 row cabinets	3122	1
0019 18	For 3 row cabinets	4680	1
0019 67	Joining kit	910	1

### Metra plug and socket DBs

For DX<sup>3</sup>/MCBs, RCCBs & RCBOs

With provision for SP/DP/TP MCB

Cat.Nos	Number of ways	No. of modules	LP* ₹ / Unit	Pack
<b>6078 40</b>	10 A SP	1	1720	1
<b>6078 41</b>	20 A SP	1	1850	1
6078 43	20 A DP	2	2012	1
6078 50	20 A TP	3	3410	1
<b>6078 51</b>	32 A TP	3	4046	1



6078 40



6078 60



6078 61

### With provision for DP/FP RCCBs / RCBOs

<b>6078 60</b>	20 A DP RCBO	4	1950	1
6078 61	20 A FP RCBO	8	3406	1
6078 62	32 A FP RCBO	8	4016	1

### P17 tempra plug and socket DBs

For DX<sup>3</sup> / MCBs / RCCBs / RCBOs

6078 70	16 A 2P+E-DP	2	2840	1
6078 73	32 A 2P+E-DP	2	3064	1
6078 71	32 A 3P+E-FP	8	4294	1
6078 72	32 A 3P+N+E-FP	8	5580	1
6078 80	63 A 3P+N+E-FP	8	14196	1



6078 72

\*LP-List Price Inclusive of excise duty but exclusive of sales tax or any other taxes.

## Ekinox™ distribution boards

Cat.Nos	Number of ways	No. of modules	LP* ₹ / Unit	Pack
---------	----------------	----------------	--------------	------

### Metal one way enclosures

For DX<sup>3</sup> / MCBs / RCCBs / RCBOs / MCCBs

For independent mounting of MCBs/RCCBs/RCBOs/MCCBs

<b>6078 81</b>	SP Enclosure	1	460	1
<b>6078 82</b>	DP Enclosure	2	672	1
<b>6078 83</b>	TP Enclosure	3	672	1
<b>6078 84</b>	FP Enclosure	4	672	1
6078 85	FP RCBO enclosure	8	1138	1
6079 05	DRX 100 MCCB enclosure	3P	2066	1
6079 06	DRX 100 MCCB enclosure	4P	2066	1
6079 44	DPX <sup>3</sup> 160 enclosure MCCB	3P & 4P	3866	1
6079 45	DPX <sup>3</sup> 250 MCCB enclosure	3P & 4P	6866	1
6079 03	DPX 250 MCCB enclosure	3P & 4P	8220	1
6079 04	DPX 630 MCCB enclosure	4P	10408	1



6078 81



6078 84



6078 85

### Plastic enclosures for DX<sup>3</sup>

For independent mounting of MCBs / RCDs / Isolators

Cat.Nos	Number of ways	LP* ₹ / Unit	Pack
<b>0013 56</b>	For 2 poles	202	1
<b>0013 57</b>	For 4 poles	288	1
<b>0013 58</b>	For 6 poles	452	1



### Cable end box

For IP 20 DBs

6077 43	For SPN 4 way DB	656	1
6077 53	For SPN 8 way DB	762	1
6077 63	For SPN 12 way DB	844	1
6077 73	For SPN 16 way DB	1190	1
6077 83	For ETPN 4 way DB	1144	1
6077 73	For ETPN 6 way DB	1190	1
6077 93	For ETPN 8 way DB	2126	1
6078 03	For ETPN 12 way DB	2832	1
6078 03	For ETPN 16 way DB	2832	1
6077 63	For all VTPN MCB DB	844	1
6078 13	For all VTPN DPX <sup>3</sup> MCCB DBs	3130	1
6077 63	For all Flexy DBs	844	1



6077 43

For IP 43 DBs

6077 44	For SPN 4 way DB	762	1
6077 54	For SPN 8 way DB	876	1
6077 64	For SPN 12 way DB	984	1
6077 74	For SPN 16 way DB	1392	1
6077 84	For ETPN 4 way DB	1268	1
6077 74	For ETPN 6 way DB	1392	1
6077 94	For ETPN 8 way DB	2440	1



6077 44

Bold Cat.Nos are products normally available with Legrand (India) Stockists. Cat.Nos that are not bold - delivery within 4 - 8 weeks from the date of order. Bold packing quantity is our mandatory packing. Orders to be placed by Legrand (India) Stockist in multiples of the same.

## Ekinox™ distribution boards

Cat.Nos	Number of ways	LP* ₹ / Unit	Pack
---------	----------------	--------------	------

### Cable end box

For IP 43 DBs

6078 04	For ETPN 12 way DB	3254	1
6078 04	For ETPN 16 way DB	3254	1
6077 64	For all VTPN MCB DB	984	1
6078 14	For all VTPN DPX <sup>3</sup> MCCB DBs	3524	1
6077 64	For all Flexy DBs	984	1

### Meter box

Provision for mounting Ammeter/Voltmeter/  
Ammeter selector switch/ Voltmeter selector switch



6077 75

6077 75	For all VTPN DPX <sup>3</sup> MCCB IP 20 DB	4738	1
6077 76	For all VTPN DPX <sup>3</sup> MCCB IP 43 DBs	5684	1
6077 77	For all VTPN DPX <sup>3</sup> MCCB IP 54 DBs	6602	1

### Per phase isolation kit

6078 90	PPI conversion kit for ETPN 4 way DB	2448	1
6078 91	PPI conversion kit for ETPN 6 way DB	2756	1
6078 92	PPI conversion kit for ETPN 8 way DB	3192	1
6078 93	PPI conversion kit for ETPN 12 way DB	3558	1
6078 94	PPI conversion kit for ETPN 16 way DB	3998	1

### Panel locks



6078 95

6078 95	Panel lock for IP 43 SPN DBs	440	1
6078 96	Panel lock for IP 54 SPN DBs	470	1
6078 97	Panel lock for IP 43 ETPN, VTPN MCB, DPX <sup>3</sup> MCCB & Flexy DBs	586	1
6078 98	Panel lock for IP 54 ETPN, VTPN MCB, DPX <sup>3</sup> MCCB & Flexy DBs	618	1

\*LP - List Price Inclusive of excise duty but exclusive of sales tax or any other taxes.

## Distribution boards

Cat.Nos	No. of devices connected	No. of 17.5 mm modules	LP* ₹ / Unit	Pack
---------	--------------------------	------------------------	--------------	------

### Supply busbars - insulated

100 A copper

#### Pin type

##### SP I/C & SP O/G

4049 26	13	13	316	1
4049 37	57	57	1226	1

##### SPN I/C & SPN O/G

4049 38	6	12	556	1
4049 39	28	56	2290	1

##### TPN I/C & SPN O/G

4049 40	5	12	574	3/30
4049 41	27	56	5596	5/10

##### TP I/C & TP O/G

4049 42	4	12	574	1
4049 43	19	57	5652	1

##### FP I/C & FP O/G

4049 44	3	12	1378	3/30
4049 45	14	56	5596	5/10

#### Fork type

##### SP I/C & SP O/G

4049 11	13	12	316	1
4049 12	57	57	1200	1

##### SPN I/C & SPN O/G250

4049 14	28	56	2290	1
---------	----	----	------	---

##### TP I/C & TP O/G

4049 17	4	12	574	1
4049 18	19	57	5596	1

##### FP I/C & FP O/G

4049 20	14	56	5596	5/10
---------	----	----	------	------

Cat.Nos	Description	LP* ₹ / Unit	Pack
---------	-------------	--------------	------

### Accessories for fork and pin type busbars

4049 89	End caps for SP	8	6
4049 90	End caps for DP & TP	34	6
4049 91	End caps for FP	68	20/840

Cat.Nos	Number of ways	LP* ₹ / Unit	Pack
---------	----------------	--------------	------

### Blanking plates

6014 70 G	-	18	10
-----------	---	----	----

Bold Cat.Nos are products normally available with Legrand (India) Stockists. Cat.Nos that are not bold - delivery within 4 - 8 weeks from the date of order. Bold packing quantity is our mandatory packing. Orders to be placed by Legrand (India) Stockist in multiples of the same.

## Ekinox<sup>3</sup>

For converting ETPN DB to PPI DB

### PPI DB IP 30 - IK 08

No. of ways	Combine		No. of modules
	ETPN DB	PPI Kit	
4 way	4 way 507660	4 way kit 507944	8+12
6 way	6 way 507661	6 way kit 507945	8+18
8 way	8 way 507662	8 way kit 507946	8+24
12 way	12 way 507663	12 way kit 507947	8+36
16 way	16 way 507664	16 way kit 507948	8+48

### PPI DB IP 43 - IK 09 with metal door

No. of ways	Combine		No. of modules
	ETPN DB	PPI Kit	
4 way	4 way 507670	4 way kit 507944	8+12
6 way	6 way 507671	6 way kit 507945	8+18
8 way	8 way 507672	8 way kit 507946	8+24
12 way	12 way 507673	12 way kit 507947	8+36
16 way	16 way 507674	16 way kit 507948	8+48

### PPI DB IP 43 - IK 09 with acrylic door

No. of ways	Combine		No. of modules
	ETPN DB	PPI Kit	
4 way	4 way 507680	4 way kit 507944	8+12
6 way	6 way 507681	6 way kit 507945	8+18
8 way	8 way 507682	8 way kit 507946	8+24
12 way	12 way 507683	12 way kit 507947	8+36
16 way	16 way 507684	16 way kit 507948	8+48

### PPI DB IP 54 - IK 09

No. of ways	Combine		No. of modules
	ETPN DB	PPI Kit	
4 way	4 way 507690	4 way kit 507944	8+12
6 way	6 way 507691	6 way kit 507945	8+18
8 way	8 way 507692	8 way kit 507946	8+24
12 way	12 way 507693	12 way kit 507947	8+36
16 way	16 way 507694	16 way kit 507948	8+48

## IK

Protection against mechanical impact: protection index - IK

According to standard:

IEC 62262, BS EN 62262 and NF EN 62262

• This table can be used to ascertain the resistance of a product to an impact given in Joules from the IK code (graduated from 00 to 10)

It can also be used to ascertain the correspondence with the old IP code 3rd digit and the corresponding external "Ag" conditions

IK	Tests	Impact energy (in Joules)	"AG" of NF C 15-100
IK 00		0	
IK 01		0.15	
IK 02		0.2	AG1
IK 03		0.35	
IK 04		0.5	
IK 05		0.7	
IK 06		1	
IK 07		2	AG2
IK 08		5	AG3
IK 09		10	
IK 10		20	AG4

## IPXX

### Index of protection

IP\*\*\* index of protection of enclosures of electrical equipment in accordance with standards IEC 529, BS 5490, DIN 400 50 and NF C 20-010

Up to 1000 V± and 1500 V= (standard UTE C 20 010)

#### 1st figure:- protection against solid bodies

IP	tests	
0		No protection
1		Protected against solid bodies larger than 50 mm (eg:- accidental contact with the hand)
2		Protected against solid bodies larger than 12 mm (eg:- finger)
3		Protected against solid bodies larger than 2.5 mm (eg:- tools, wires)
4		Protected against solid bodies larger than 1 mm (eg:- fine tools and small wires)
5		Protected against dust (no harmful deposit)
6		Completely protected against dust

#### 2nd figure:- protection against liquids

IP	tests	
0		No protection
1		Protected against vertically-falling drops of water (condensation)
2		Protected against drops of water falling at up to 15° from the vertical
3		Protected against drops of rain water at up to 60° from the vertical
4		Protected against projections of water from all directions
5		Protected against jets of water from all directions
6		Protected against jets of water of similar force to heavy seas
7		Protected against the effects of immersion
8		Protected against prolonged effects of immersion under pressure

The contents of all the above charts are for guidance only, if you have any doubt as to the interpretation of the information contained therein, please refer either to the standard itself or contact Legrand.

In accordance with our policy of continuous improvement, Legrand reserves the right to change specifications and designs without notice. All information given here is correct at the time of going to press.